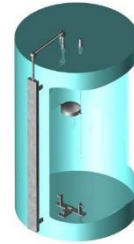


## UFZ BUOY LEVEL GAUGE

### Summary

UFZ Buoy Level Gauge applies to the level measuring of oil tank, tank farm, and other vessels in storage and transportation system of the petroleum industry. It can be used in acidic, alkaline, high viscosity, and corrosive medium. UFZ Buoy level gauge has a simple structure, visual and intuitive, and it's easy to install and maintain.



### Operating Principle

UFZ-4A is based upon the equilibrium principle.

Buoy position will be changed when liquid level changes. As the weighted pointer impelled by wire-rope to move, and indicate the level position in ruler to achieve the purpose of liquid level measurement.

### Technical Parameters

Contents	Model
	UFZ-4A
Operating pressure	Normal temperature normal pressures
Medium density	$\geq 0.6\text{g/cm}^3$
Range	500mm ~ 10000mm, Arbitrarily specified measurement range; $\geq 10000\text{mm}$ , on request or according to special requirements
Accuracy	$\pm 20\text{mm}$
Medium Temperature	$-30^\circ\text{C} \sim +200^\circ\text{C}$

Connecting rod installation perpendicularity	-
Guide wire installation perpendicularity	$\leq 5^\circ$
Wetted material	304 or on request
Non-Wetted material	Carbon Steel

### Model Selection Table

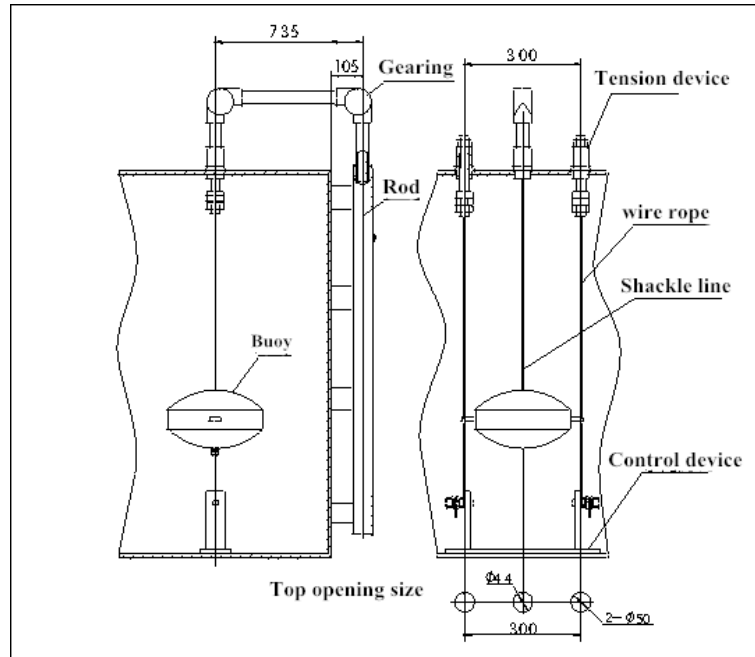
Model	Code				Content
UFZ -					Buoy level gauge
	4A				New type Buoy level gauge
	-				
	*				Range
	-				
			*		
UFZ -	4A	<input type="checkbox"/>	<input type="checkbox"/>	<input type="checkbox"/>	

### Example

UFZ-4A-6000 is New type Buoy level gauge, 4A type, range of the measurement is 6000mm, Medium density 1.40g/cm<sup>3</sup>.

### Outline Drawing and Installation

Structural form and dimensions are shown in the figure below



Drawing1 UFZ-4A Operating Principle and Installation Dimension

### Ordering Information

- Model and specification
- Range of the measurement
- Name of medium
- Operating pressure and temperature
- Operating temperature
- Wetted material
- Other special requirements